

PUZZLE  
HIGH  
by  
bürotime

technical document



# PUZZLE HIGH



**Duygu Aslanel**

“Puzzle High; allows the organization of areas for meeting and sharing ideas that bring interaction to the forefront by changing the monotonous working conditions of the users. It promotes collaboration and productivity. It offers a holistic solution to the new generation working needs with its accessories which enable the integration of units such as TV, storage units and with the dimensions and module varieties. It is an ideal option for individual work as well as teamwork and meetings. It creates the feeling of a separate space by isolating the meeting environment from the open office space in terms of sound and image.”

product family \_\_\_\_\_  
table



---

meeting unit with monitor hanger



---

meeting unit



# size chart

table  
W 60 L 160

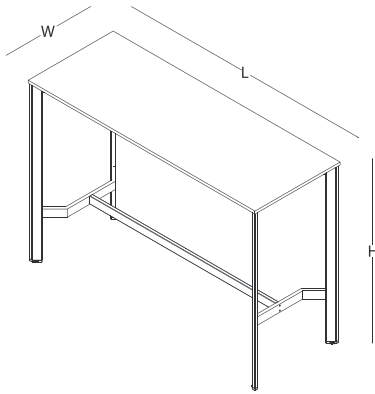
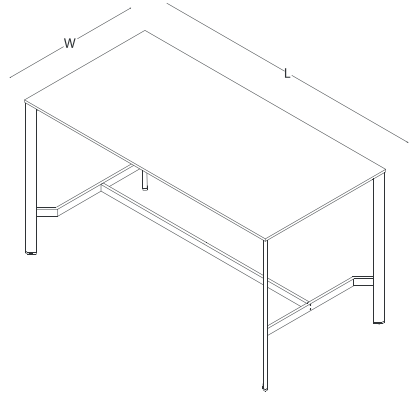
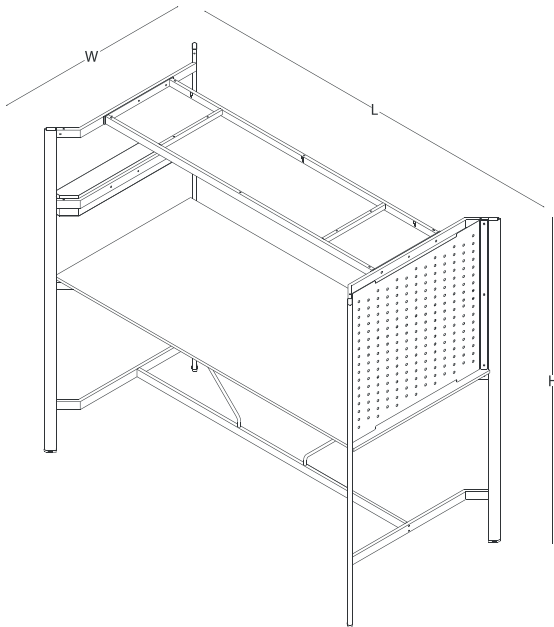


table  
W 100 L 200

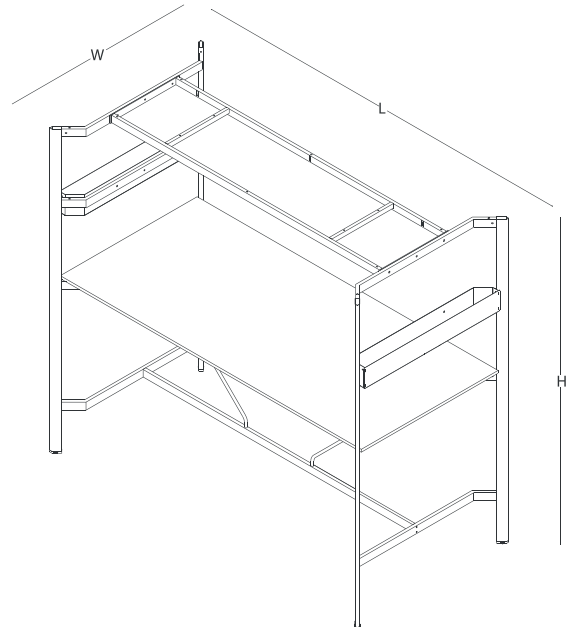


H 110

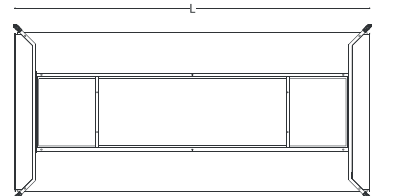
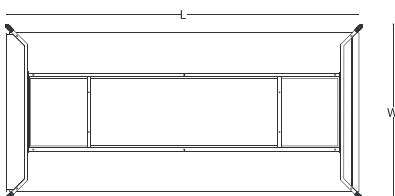
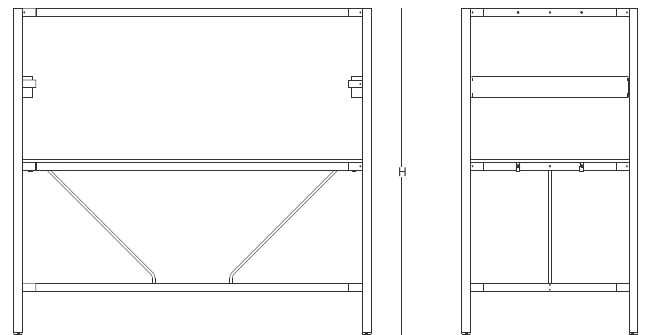
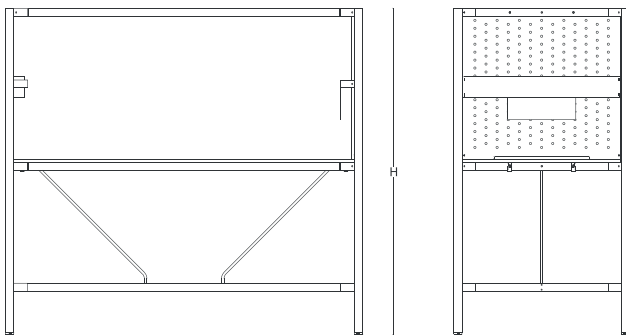
meeting unit with monitor hanger



meeting unit



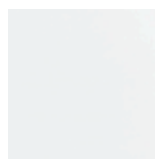
H 205  
W 110  
L 225



## color options \_\_\_\_\_

### melamin - table top

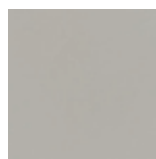
---



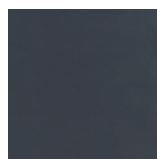
white



grey



sand



antrachite



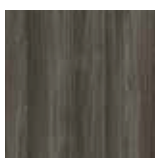
black



samba walnut



oleaster



ash oak



hazelnut



acacia



natural oak



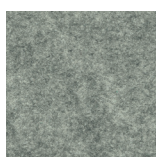
african oak

### sonus (only for meeting units)

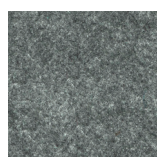
---



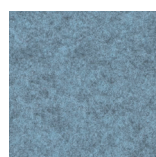
SN101  
yellow



SN103  
light grey



SN104  
dark grey



SN106  
ice blue



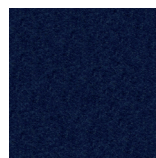
SN107  
dark beige



SN111  
turquoise



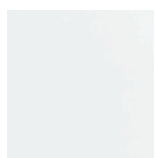
SN112  
apple green



SN116  
navy blue

### metal - leg and structure

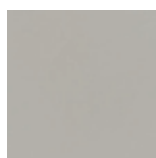
---



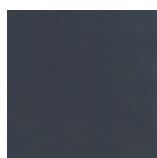
white



grey



sand



antrachite



black